

P5L Ellipsoidal Light (Track)

175W LED/ 19° / 36° / 50°

ORDERING GUIDE

FLXP5L - - - - - **PSP** -

Beam Angle

19 19°
36 36°
50 50°

Mode

CLR All Modes
EZ All EZ Modes
RGB RGB Mode Only
CCT Tunable CCT Mode Only
3200 Fixed 3200K
5600 Fixed 5600K

Finish

WH White
BK Black

Mount

TOX w/ O-type DMX Track Adapter
TEX w/ E-type DMX Track Adapter (Legacy product)

Power Supply & Control

PSP Power Supply w/ Pass-Through DMX

Plug/Connection

US US 120V
EU EU 220V

SPECIFICATIONS

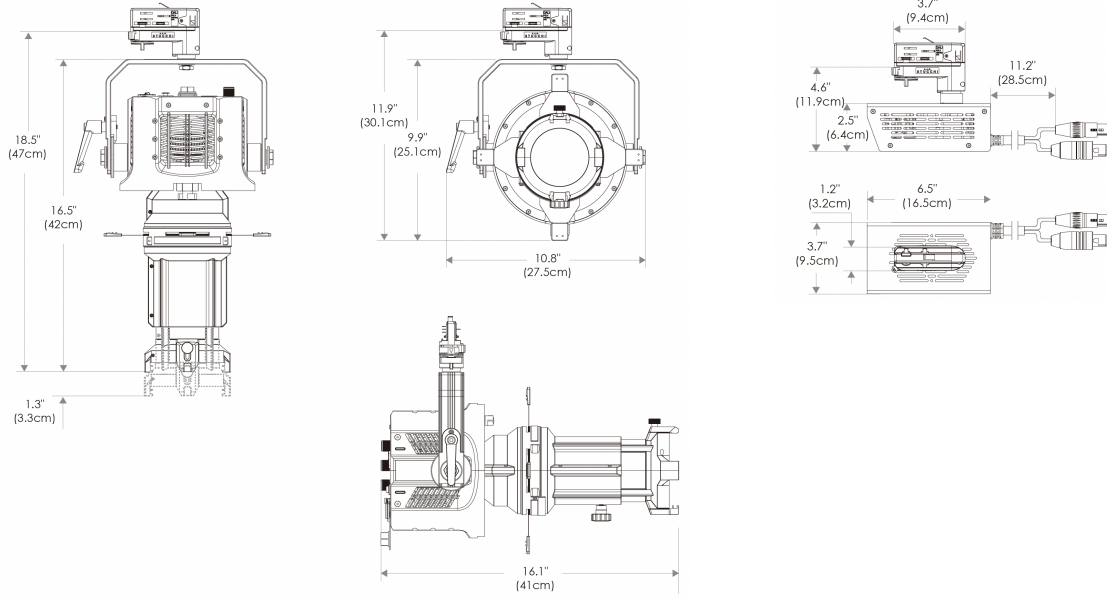
Beam Angle	19° / 36° / 50°
CRI / TLCI	95/90 typical (in CCT Mode of 2800K-6500K)
Dimming	100% - 0% flicker free
AC Power Draw	175W max
AC Input	100 - 240V AC, 50 - 60Hz
Remote Control	DMX 512
Cooling	Fan Cooled
Acoustic Noise	23 dBA (Auto Mode)
Operating Temp.	32 - 104°F (0 - 40°C)
Weight (Fixture + Power Supply)	10.9lb / 5.0kg
Gobo Size	Diameter: M Size (66mm)
	Max Image: 48mm
	Max Thickness: 1mm

- Cine-Grade Light Quality
- Point-Source LED
- DMX Controllable
- 175W Power Draw
- Carries Four Shutter Blades

MECHANICAL FIGURES

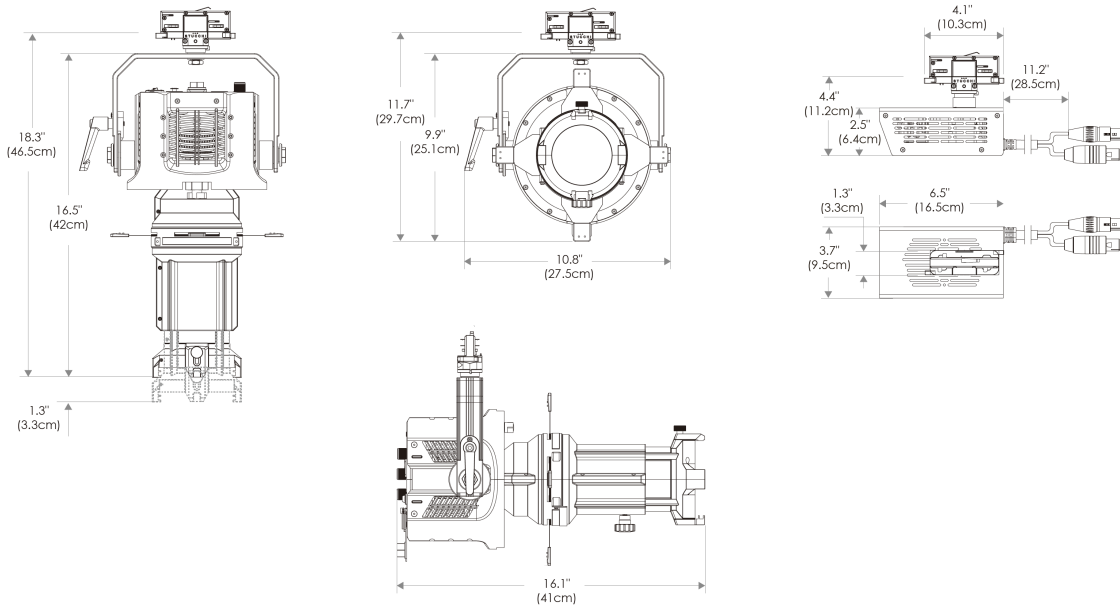
PSP

US

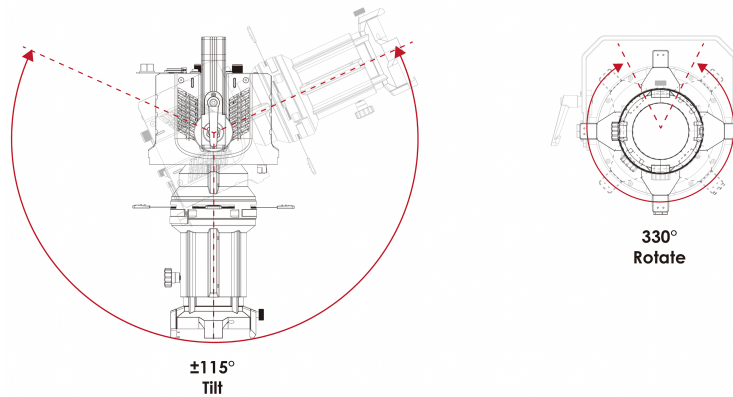


PSP

EU

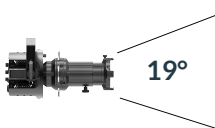


TILT/ROTATION

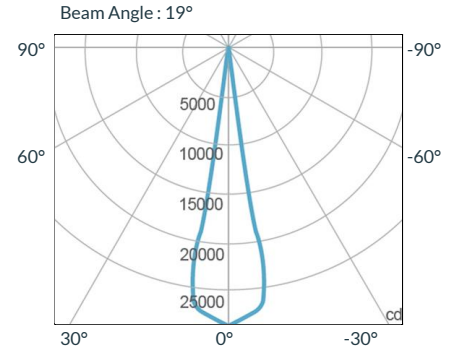


PHOTOMETRIC DATA

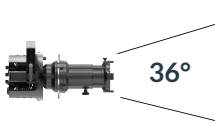
19 Degree



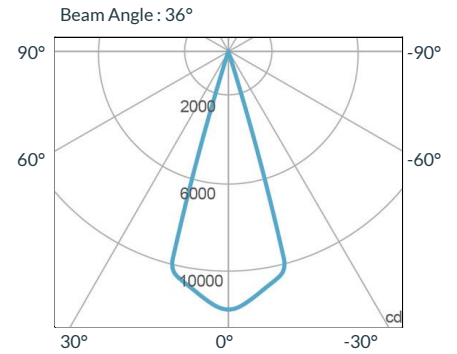
Distance		3' (~0.9 m)	10' (~3.0 m)	15' (~4.6 m)
@3200K	fc	4771	374	175
	lux	51355	4026	1884
@5600K	fc	5001	392	183
	lux	53831	4220	1970
Beam Diameter		Ø 0.9' (~0.3m)	Ø 3.0' (~0.9m)	Ø 4.6' (~1.4m)



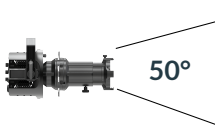
36 Degree



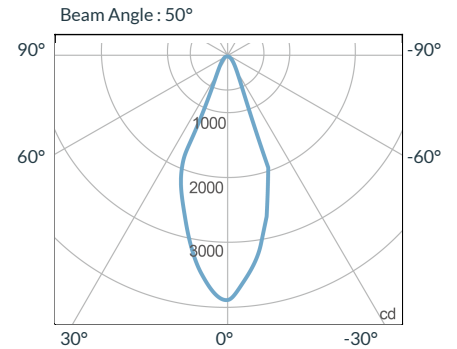
Distance		3' (~0.9 m)	10' (~3.0 m)	15' (~4.6 m)
@3200K	fc	1619	131	61
	lux	17427	1411	657
@5600K	fc	1715	139	65
	lux	18461	1497	700
Beam Diameter		Ø 1.7' (~0.5m)	Ø 5.8' (~1.8m)	Ø 8.9' (~2.7m)



50 Degree



Distance		3' (~0.9 m)	10' (~3.0 m)	15' (~4.6 m)
@3200K	fc	591	50	24
	lux	6362	539	259
@5600K	fc	632	53	25
	lux	6803	571	270
Beam Diameter		Ø 1.9' (~0.6m)	Ø 6.3' (~1.9m)	Ø 9.6' (~2.9m)



ACCESSORIES

(specify finish by adding -BK or -WH)



Leko Gobo Holder
FLXP5L-GOBOHOLDER



Leko Gobo Set of 4
FLXP5L-GOBOSET



Leko Iris
FLXP5L-IRIS



Leko Gel Holder
FLXP5L-GELHOLDER



DMX 6 Channel Controller
FLXCNTL-DMX6